

OVATION

E-910FC IP

User Manual



*Lens tubes sold separately

Model ID: OVATIONE910FCIP

Edition Notes

The Ovation E-910FC IP User Manual includes a description, safety precautions, installation, programming, operation and maintenance instructions for the Ovation E-910FC IP.

Trademarks

Chauvet, Chauvet Professional, the Chauvet logo, and Ovation are registered trademarks or trademarks of Chauvet & Sons, LLC (d/b/a Chauvet and Chauvet Lighting) in the United States and other countries. Other company and product names and logos referred to herein may be trademarks of their respective companies.

Copyright Notice

The works of authorship contained in this manual, including, but not limited to, all designs, text, and images are owned by Chauvet.

© **Copyright 2023 Chauvet & Sons, LLC. All rights reserved.**

Electronically published by Chauvet in the United States of America.

Manual Use

Chauvet authorizes its customers to download and print this manual for professional information purposes only. Chauvet expressly prohibits the usage, copy, storage, distribution, modification, or printing of this manual or its content for any other purpose without written consent from Chauvet.

Document Printing

For best results, print this document in color, on letter size paper (8.5 x 11 in), double-sided. If using A4 paper (210 x 297 mm), configure the printer to scale the content accordingly.

Intended Audience

Any person installing, operating, and/or maintaining this product should completely read through the guide that shipped with the product, as well as this manual, before installing, operating, or maintaining this product.

Disclaimer

Chauvet believes that the information contained in this manual is accurate in all respects. However, Chauvet assumes no responsibility and specifically disclaims any and all liability to any party for any loss, damage or disruption caused by any errors or omissions in this document, whether such errors or omissions result from negligence, accident or any other cause. Chauvet reserves the right to revise the content of this document without any obligation to notify any person or company of such revision, however, Chauvet has no obligation to make, and does not commit to make, any such revisions.

Document Revision

Go to www.chauvetprofessional.com for the latest version.

Revision	Date	Description
11	11/2023	Added verbiage for effectiveness and useful life of the Soft Focus Filter.

TABLE OF CONTENTS

1. Before You Begin	1
What Is Included	1
Claims	1
Manual Conventions	1
Symbols	1
Safety Notes.....	2
FCC Statement of Compliance	3
Expected LED Lifespan.....	3
2. Introduction	4
Description	4
Features	4
Lens Tube	4
Product Overview.....	5
Product Dimensions	6
3. Setup	7
AC Power	7
AC Plug	7
Power Linking.....	7
Fuse Replacement.....	7
DMX Linking.....	8
DMX Personalities.....	8
Remote Device Management.....	8
Master/Slave Connectivity.....	8
Mounting	9
Orientation.....	9
Rigging	9
Procedure.....	9
Manual Beam Focus Control.....	9
Rotating the Barrel Assembly.....	10
Accessory Slot	10
Soft Focus Filter	10
4. Operation	11
Control Panel Operation.....	11
Control Options	11
Programming.....	11
DMX Configuration.....	11
DMX Personalities.....	11
Starting Address.....	11
Menu Map	12
Standalone Configuration.....	15
Focus Mode	15
Virtual Color Wheel	15
Color Temperature	15
Manual Color Mixer	15
Color X-Fade Speed	15
Auto Programs	15
Red Shift	15
Gobo Rotator.....	15

Dimmer Curve	16
Master/Slave	16
Dimmer Profiles.....	16
White Balance	16
LED Frequency	16
Fan Mode	16
Back Light	17
Key Lock	17
Gobo Power	17
System Information	17
Factory Reset.....	17
Virtual Color Wheel	18
Virtual Color Wheel Chart	18
Color Temperature Chart	19
DMX Values	19
17Ch / 14Ch / 13Ch / 11Ch / 8Ch / 6Ch / 4Ch	19
1Ch.....	20
HSV.....	20
5. Technical Information	21
Product Maintenance	21
Torque Measurements	21
Vacuum Test Measurements	21
6. Technical Specifications	22
Contact Us	23
Warranty & Returns.....	23

Before You Begin

1. Before You Begin

What Is Included

- Ovation E-910FC IP
- Seetronic Powerkon IP65 power cable
- Soft focus filter
- Quick Reference Guide

Claims

Carefully unpack the product immediately and check the container to make sure all the parts are in the package and are in good condition.





If the box or the contents (the product and included accessories) appear damaged from shipping, or show signs of mishandling, notify the carrier immediately, not Chauvet. Failure to report damage to the carrier immediately may invalidate your claim. In addition, keep the box and contents for inspection.

For other issues, such as missing components or parts, damage not related to shipping, or concealed damage, file a claim with Chauvet within 7 days of delivery.

Manual Conventions

Convention	Meaning
1–512	A range of values
50/60	A set of values of which only one can be chosen
<SET>	A button on the product's control panel
Settings	A product function or a menu option

Symbols

Symbol	Meaning
	Electrical warning. Not following these instructions may cause electrical damage to the product, accessories, or the user.
	Critical installation, configuration, or operation information. Not following these instructions may make the product not work, cause damage to the product, or cause harm to the operator.
	Important installation or configuration information. The product may not function correctly if this information is not used.
	Useful information.



Any reference to data or power connections in this manual assumes the use of Seetronic IP-rated cables.



The term “DMX” used throughout this manual refers to the USITT DMX512-A digital data transmission protocol.

Safety Notes

Read all the following safety notes before working with this product. These notes contain important information about the installation, usage, and maintenance of this product.



This product contains no user-serviceable parts. Any reference to servicing in this User Manual will only apply to properly trained, certified technicians. Do not open the housing or attempt any repairs.



All applicable local codes and regulations apply to proper installation of this product.

- The luminaire is intended for professional use only.
- The luminaire should be positioned so that prolonged staring into the luminaire at a distance closer than 16 ft (4.9 m) is not expected.
- If the external flexible cable or cord of this luminaire is damaged, it shall be replaced by a special cord or cord exclusively available from the manufacturer or its service agent.
- The light source contained in this luminaire shall only be replaced by the manufacturer or its service agent or a similar qualified person.
- **CAUTION:**
 - This product's housing may be hot when operating. Mount this product in a location with adequate ventilation, at least 20 in (50 cm) from adjacent surfaces.
 - When transferring the product from extreme temperature environments, (e.g., cold truck to warm humid ballroom) condensation may form on the internal electronics of the product. To avoid causing a failure, allow the product to fully acclimate to the surrounding environment before connecting it to power.
 - Flashing light is known to trigger epileptic seizures. User must comply with local laws regarding notification of strobe use.
- **ALWAYS:**
 - Disconnect from power before cleaning the product or replacing the fuse.
 - When using an IP65-rated product in an outdoor environment, use IP65- (or higher) rated power and data cable.
 - Replace and secure IP-rated protective covers to all power, data, USB, or other ports when not in use.
 - Replace the fuse with the same type and rating.
 - Use a safety cable when mounting this product overhead.
 - Connect this product to a grounded and protected circuit.
- **DO NOT:**
 - Open this product. It contains no user-serviceable parts.
 - Look at the light source when the product is on.
 - Leave any flammable material within 20 cm of this product while operating or connected to power.
 - Connect this product to a dimmer or rheostat.
 - Operate this product if the housing, lenses, or cables appear damaged.
 - Submerge this product (adhere to standards for the published IP rating). Regular outdoor operation is fine.
 - Permanently install outdoors in locations with extreme environmental conditions. This includes, but is not limited to:
 - Exposure to a marine/saline environment (within 3 miles of a saltwater body of water).
 - Locations where normal temperatures exceed the temperature ranges in this manual.
 - Locations that are prone to flooding or being buried in snow.
 - Other areas where the product will be subject to extreme radiation or caustic substances.
- **ONLY** use the handles or the hanging/mounting brackets to carry this product.
- The maximum ambient temperature is 113 °F (45 °C). Do not operate this product at higher temperatures.
- The minimum startup temperature is -4°F (-20°C). Do not start the product at lower temperatures.
- The minimum ambient temperature is -22°F (-30°C). Do not operate the product at lower temperatures.
- To eliminate unnecessary wear and improve its lifespan, during periods of non-use completely disconnect the product from power via breaker or by unplugging it.
- In the event of a serious operating problem, stop using immediately.



If a Chauvet product requires service, contact Chauvet Technical Support.

Before You Begin

FCC Statement of Compliance

This device complies with Part 15 Part B of the FCC rules. Operation is subject to the following two conditions:

1. This device may not cause harmful interference, and
2. This device must accept any interference received, including interference that may cause undesired operation.

This equipment has been tested and found to comply with the limits for a Class B digital device, pursuant to Part 15 of the FCC Rules. These limits are designed to provide reasonable protection against harmful interference in a residential installation. This equipment generates uses and can radiate radio frequency energy and, if not installed and used in accordance with the instructions, may cause harmful interference to radio communications. However, there is no guarantee that interference will not occur in a particular installation. If this equipment does cause harmful interference to radio or television reception, which can be determined by turning the equipment off and on, the user is encouraged to try to correct the interference by one or more of the following measures:

- Reorient or relocate the receiving antenna.
- Increase the separation between the equipment and receiver.
- Connect the equipment into an outlet on a circuit different from that to which the receiver is connected.
- Consult the dealer or an experienced radio/TV technician for help.

Any changes or modifications not expressly approved by the party responsible for compliance could void the user's authority to operate the equipment.

Expected LED Lifespan

LEDs gradually decline in brightness over time, primarily because of heat. LEDs that are arranged in clusters experience higher operating temperatures than single LEDs. For this reason, operating clustered LEDs at their fullest intensity significantly reduces the LEDs' lifespan. Under normal conditions, this lifespan is 40,000 to 50,000 hours. If extending this lifespan is vital, lower the operating temperature by improving the ventilation around the product, thus reducing the ambient temperature. In addition, limiting the overall projection intensity may extend the LEDs' lifespan.

2. Introduction

Description

The Ovation E-910FC IP takes the high-performance, full RGBA-Lime color-mixing LED engine of the Ovation E-910FC outdoors. Chauvet's standard shutter assembly and lenses lend familiarity and ease of use to this IP65 ERS-style fixture that offers color temperature presets of 2800 to 6500 K that match the output of a tungsten source to perfection. Control options include full bit dimming (per color and master), selectable PWM, RDM, and on-board dimming curves selection. Also accessible is Chauvet's virtual color wheel that matches popular color gels.

Features

- Operating modes:
 - HSV: hue, saturation, value, gobo rotation
 - 1-channel: dimmer
 - 4-channel: dimmer, virtual color wheel, color temperature, gobo rotation
 - 6-channel: RGBAL control, gobo rotation
 - 8-channel: dimmer, RGBAL control, strobe, gobo rotation
 - 11-channel: 16-bit dimmer, RGBAL control, strobe, virtual color wheel, color temperature, gobo rotation
 - 13-channel: dimmer, RGBAL control, strobe, virtual color wheel, color temperature, auto programs, auto speed, dimmer speed mode, gobo rotation, red shift
 - 14-channel: 16-bit RGBAL and dimmer, strobe, gobo rotation
 - 17-channel: 16-bit RGBAL and dimmer, strobe, virtual color wheel, color temperature, gobo rotation, red shift
- Full-color LED (RGBAL) ERS-style lighting fixture for theatre, film, and production
- Fully IP65-rated for seasonal use indoors or out
- Use of our standard Ovation beam shaping shutters and lenses lends familiarity and ease of use to the fixture
- Virtual color wheel with color matched to popular gel colors
- Color temperature presets from 2800 K to 6500 K with high CRI and CQS
- Ultra-smooth 16-bit dimming and 8-bit dimming curves to complement any lighting scheme.
- Flat, even field of light for superior gobo projection
- RDM (Remote Device Management) for added flexibility
- Adjustable PWM (Pulse Width Modulation) to avoid flickering on camera

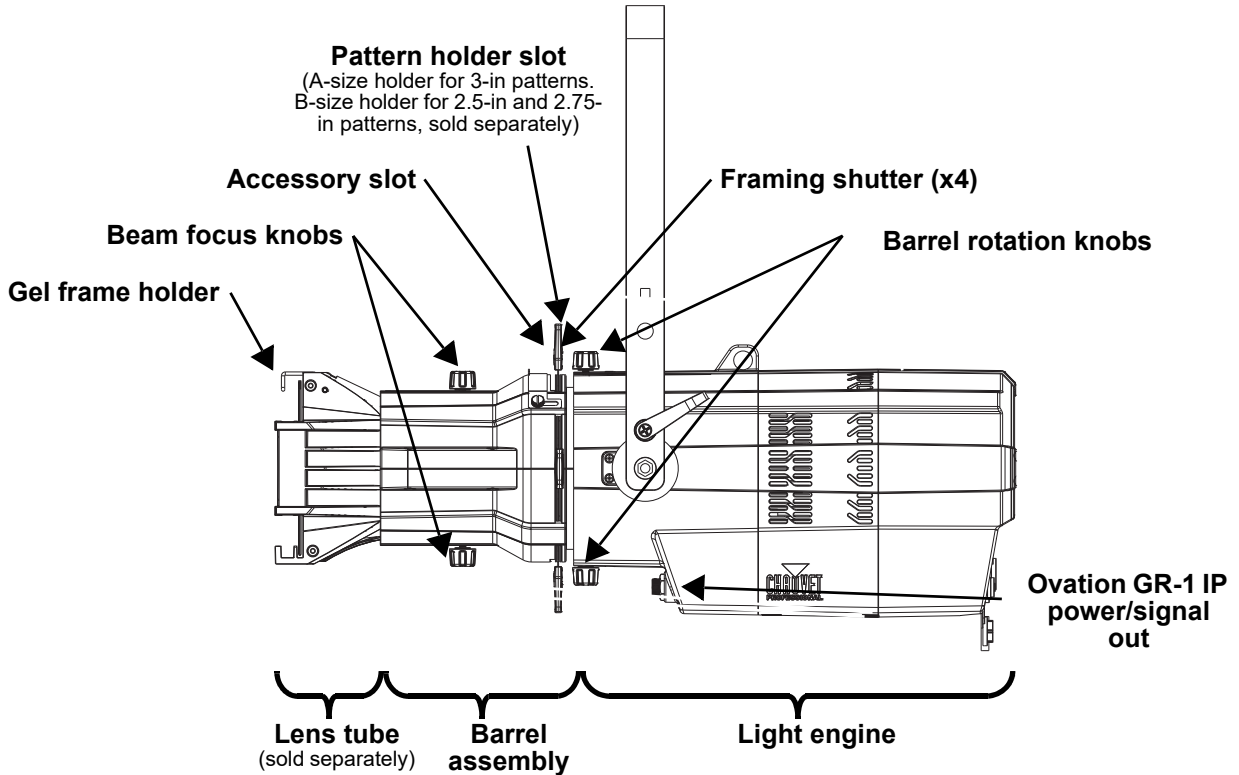
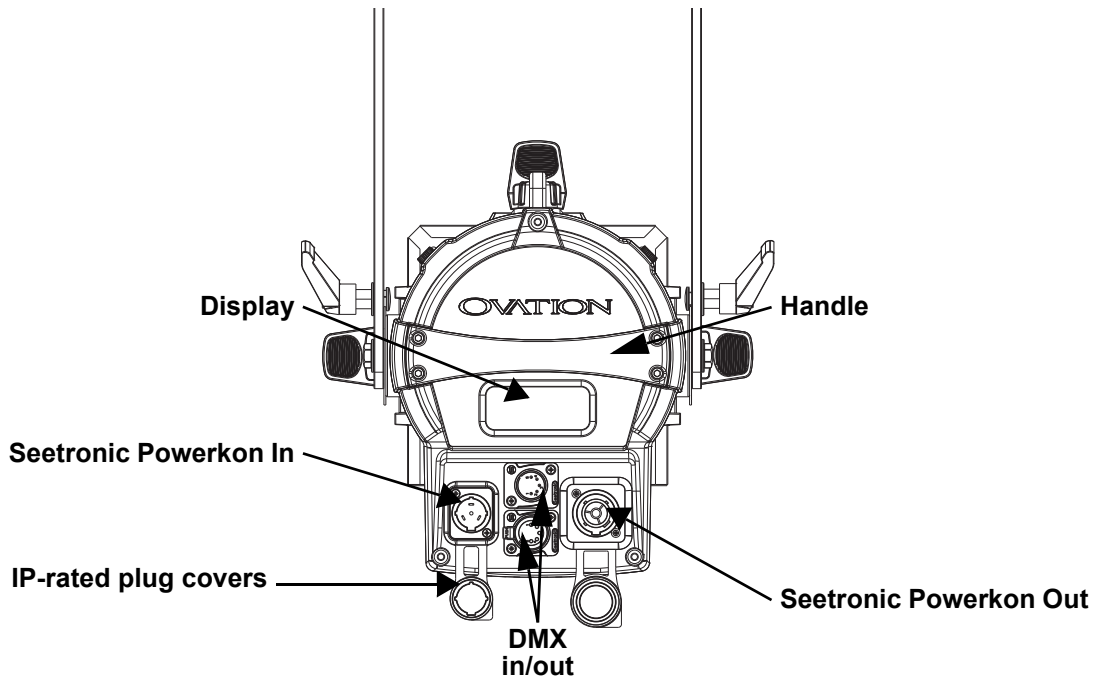
Lens Tube

The following lens tubes are available for purchase:

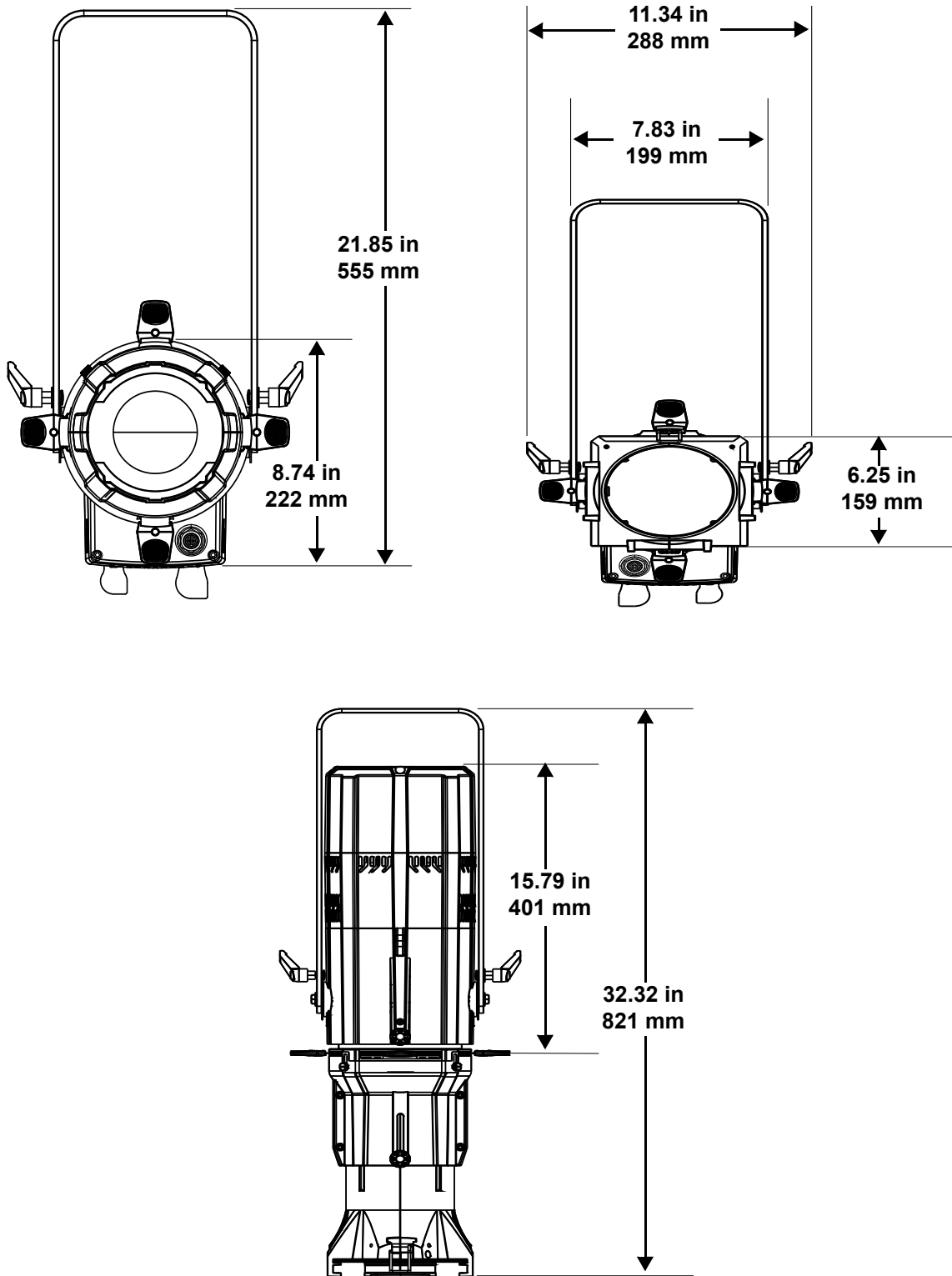
- 14° w/ gel frame (7.5 in/191 mm accessories)
- 19° w/ gel frame (6.25 in/159 mm accessories)
- 26° w/ gel frame (6.25 in/159 mm accessories)
- 36° w/ gel frame (6.25 in/159 mm accessories)
- 50° w/ gel frame (6.25 in/159 mm accessories)
- 15°–30° w/ gel frame (7.5 in/191 mm accessories)
- 25°–50° w/ gel frame (7.5 in/191 mm accessories)

Introduction

Product Overview



Product Dimensions



3. Setup

AC Power

Each Ovation E-910FC IP has an auto-ranging power supply that works with an input voltage range of 100 to 240 VAC, 50/60 Hz. To determine the power requirements for each Ovation E-910FC IP, refer to the label affixed to the product or to the Technical Specifications chart in this manual.

The listed current rating indicates the maximum current draw during normal operation. For more information, download Sizing Circuit Breakers from the Chauvet website: www.chauvetprofessional.com.



- **Always connect the product to a protected circuit (a circuit breaker or fuse). Make sure the product has an appropriate electrical ground to avoid the risk of electrocution or fire.**
- **To eliminate unnecessary wear and improve its lifespan, during periods of non-use completely disconnect the product from power via breaker or by unplugging it.**



Never connect the product to a rheostat (variable resistor) or dimmer circuit, even if the rheostat or dimmer channel serves only as a 0 to 100% switch.

AC Plug

The Ovation E-910FC IP comes with a power input cord terminated with a Seetronic Powerkon A connector on one end and an Edison plug on the other end (U.S. market). If the power input cord that came with the product has no plug, or if the plug needs to be changed, use the table below to wire the new plug.

Connection	Wire (U.S.)	Wire (Europe)	Screw Color
AC Live	Black	Brown	Yellow or Brass
AC Neutral	White	Blue	Silver
AC Ground	Green/Yellow	Green/Yellow	Green

Power Linking

It is possible to power link Ovation E-910FC IP products. See the table below for the current draw at each voltage and frequency:

	100 V, 60 Hz	120 V, 60 Hz	208 V, 60 Hz	230 V, 50 Hz	240 V, 60 Hz
Current Draw	2.2 A	1.8 A	1.03A	.966 A	.935 A

Never exceed 12A on a single circuit. Power-linking cables can be purchased separately..



- **Use Seetronic Powerkon cables to preserve the IP65 rating and the warranty of this product.**
- **Insert the attached IP65-rated plugs into the corresponding power/data connections when not in use.**

Fuse Replacement

1. Disconnect this product from the power outlet.
2. Using a Phillips-head screwdriver, unscrew the fuse holder cap from the housing.
3. Remove the blown fuse and replace with another fuse of the same type and rating (T 3.15 A, 250 V).
4. Screw the fuse holder cap back in place and reconnect power.



Make sure to disconnect the product's power cord before replacing a blown fuse. Always replace the blown fuse with another of the same type and rating.

DMX Linking

The Ovation E-910FC IP can be linked to a DMX controller using a 5-pin DMX connection. Other DMX-compatible products used with this product can be controlled individually using a single DMX controller.

DMX Personalities

The Ovation E-910FC IP uses a 5-pin DMX data connection for the **HSV, 1Ch, 4Ch, 6Ch, 8Ch, 11Ch, 13Ch, 14Ch, or 17Ch** DMX personalities.

- Refer to the [Introduction](#) for a brief description of each DMX personality.
- Refer to the [Operation](#) chapter to learn how to configure the Ovation E-910FC IP to work in these personalities.
- The [Standalone Configuration](#) section provides detailed information regarding the DMX personalities.



For more information about DMX standards, Master/Slave connectivity, or the DMX cables needed to link this product to a DMX controller, download the DMX Primer from the Chauvet website: www.chauvetprofessional.com.

Remote Device Management

Remote Device Management, or RDM, is a standard for allowing DMX-enabled devices to communicate bi-directionally along existing DMX cabling. Check the DMX controller's User Manual or with the manufacturer, as not all DMX controllers have this capability. The Ovation E-910FC IP supports RDM protocol that allows feedback to make changes to menu map options.

Master/Slave Connectivity

The Master/Slave mode allows a Ovation E-910FC IP (the master) to control one or more Ovation E-910FC IP products (the slaves) without a DMX controller. One Ovation E-910FC IP becomes the master when running an auto or custom program, or by being in a Static mode.

Each slave's control panel must be configured to operate in Slave mode. During Master/Slave operation, the slaves will operate in unison with the master.



DO NOT connect a DMX controller to products operating in Master/Slave mode. The DMX controller signals may interfere with the signals from the master.



The [Operation](#) section of this manual provides detailed instructions on how to configure the master and slaves.



Use IP65 data cables to preserve the IP65 rating and the warranty of this product.

Setup

Mounting

Before mounting the product, read and follow the safety recommendations indicated in the [Safety Notes](#). For the Chauvet Professional line of mounting clamps, go to <http://trusst.com/products/>.

Orientation

Always mount this product in a safe position, making sure there is adequate room for ventilation, configuration, and maintenance.

Rigging

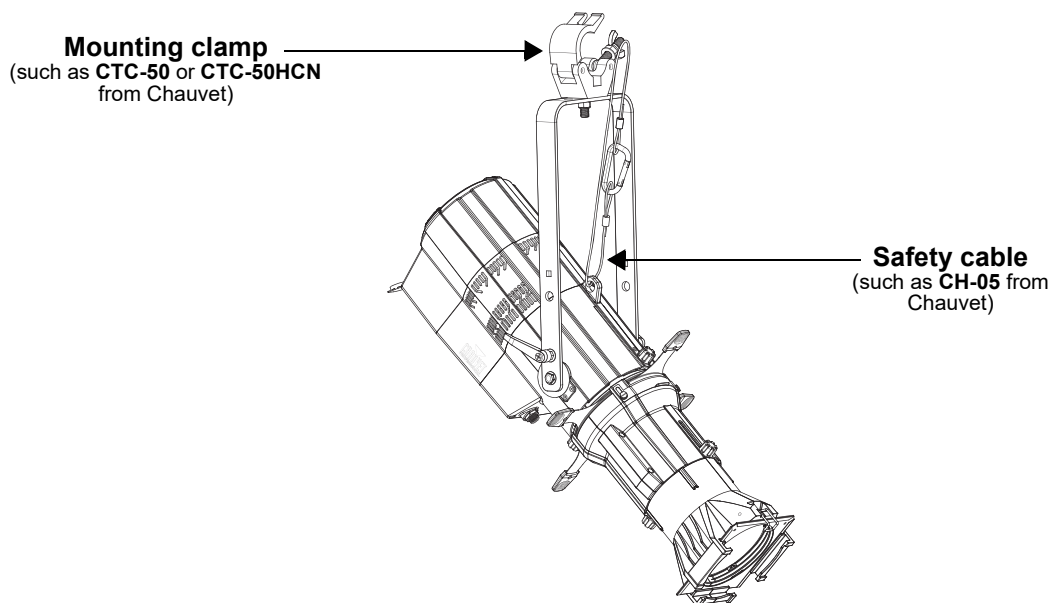
Chauvet recommends using the following general guidelines when mounting this product.

- Before deciding on a location for the product, always make sure there is easy access to the product for maintenance and programming.
- Make sure that the structure and attachment points can support the weight before hanging the product (see the [Technical Specifications](#)).
- When mounting the product overhead, always use a safety cable. Mount the product securely to a rigging point, such as an elevated platform or a truss.
- When rigging the product onto a truss, use a mounting clamp of appropriate weight capacity.
- The bracket adjustment knobs allow for directional adjustment when aiming the product to the desired angle. Only loosen or tighten the bracket knobs manually. Using tools could damage the knobs.
- When power linking multiple products, mount the products close enough for power linking cables to reach.

Procedure

The Ovation E-910FC IP comes with a double-bracketed yoke that can be used as a floor stand or to which mounting clamps can be attached for hanging. Mounting clamps must be purchased separately. Ensure that the clamps can support the weight of this product. Use at least one mounting point per product where necessary.

Mounting Diagram



Manual Beam Focus Control

The Ovation E-910FC IP has a manual focus, which is adjusted as follows:

1. Locate the beam focus knobs at the top and bottom of the barrel assembly.
2. Loosen the knobs by turning them counter-clockwise.
3. Slide the lens tube forward or backward until the desired focus or beam edge is achieved.
4. Tighten the knobs by turning them clockwise, which lock the lens tube's position.



To avoid changing menu settings while focusing the Ovation E-910FC IP, press and hold the <ENTER> button for 3 seconds. This will put the product in Focus Mode, by increasing the intensity to 100%. To exit out of focus mode, press <MENU>.

Rotating the Barrel Assembly

The Ovation E-910FC IP allows manual rotation of the barrel assembly, as follows:

1. Locate the barrel rotation knobs at the top and bottom of the light engine.
2. Loosen the knobs by turning them counterclockwise. (**Note:** Do not remove the knobs.)
3. Rotate the barrel to the desired position, up to 25° in either direction from the centered position.
4. Tighten the knobs by turning them clockwise, which locks the barrel's position.

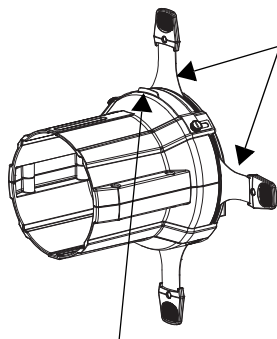


Ensure that the barrel assembly is oriented with the pattern holder and accessory slots at the top of the product.

Accessory Slot

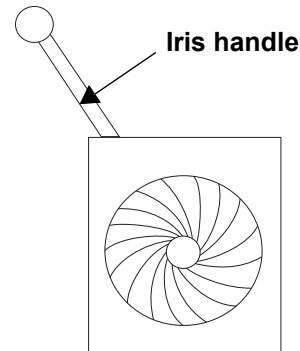
The Ovation E-910FC IP has an accessory slot, which holds a drop-in iris, a motorized pattern device, or various other optional accessories (sold separately).

1. Loosen the thumbscrews on the slot cover. (**Note:** Do not remove the thumbscrews).
2. Slide to cover forward.
3. Insert an accessory. (**Note:** Make sure to insert the accessory correctly. i.e., the iris handle extends upward from the slot).
4. Slide the cover back. Make sure any handles or adjustment tools that stick out the top are able to function correctly.
5. Tighten the thumbscrews to secure the cover.



Thumb screws

Accessory Slot Cover



Sample Drop-in Iris



- When not using the accessory slot, replace and secure the slot cover to prevent light leakage during operation.
- When obtaining any optional accessories, be sure the items are compatible with the Ovation E-910FC IP.

Soft Focus Filter

The Ovation E-910FC IP comes with a soft focus filter. To keep the soft focus filter in good condition:

- Ensure that no fingerprints are left on the filter, as this may cause the filter to heat unevenly and eventually warp.
- When placing the filter in the holder, follow the orientation direction printed on the filter.
- When inserting shutter blades into the light path, note that the heat is reflected back at the filter. The deeper the blades are inserted, and the longer the fixture runs, the more heat gets reflected on to the filter, causing it to warp and potentially adhere to the shutter blades.



If there is a protective film on the soft-focus filter, it must be removed before use. The filter is in a holder in the metal gobo slot.



The lifespan and effectiveness of the Soft Focus Filter accessory included with this product will be negatively impacted by excessive reflected heat caused by the extended use of gobos, shutters, irises, and other beam shaping accessories. The filter is not covered by the limited warranty. Replacements are available for purchase.

4. Operation

Control Panel Operation

Button	Function
<MENU>	Exits from the current menu or function
<ENTER>	Enables the currently displayed menu or sets the currently selected value in to the current function
<UP>	Navigates upward through the menu list or increases the numeric value when in a function
<DOWN>	Navigates downward through the menu list or decreases the numeric value when in a function

Control Options

Set the Ovation E-910FC IP starting address in the 001–509 DMX range. This enables control of up to 12 products in the 17-channel personality.

Programming

Refer to the [Menu Map](#) to understand the menu options. The menu map shows the main level and a variable number of programming levels for each option.

- To go to the desired main level, press <MENU> repeatedly until the option shows on the display. Press <ENTER> to select. This will take you to the first programming level for that option.
- To select an option or value within the current programming level, press <UP> or <DOWN> until the option shows on the display. Press <ENTER> to select. In this case, if there is another programming level, you will see that first option, or you will see the selected value.
- Press <MENU> repeatedly to exit to the previous main level.

DMX Configuration

Use DMX configurations to operate the product with a DMX controller.

DMX Personalities

This setting allows you to choose a particular DMX personality.

1. Go to the **DMX Channel** main level.
2. Select the desired personality (**1Ch, 4Ch, 6Ch, 8Ch, 11Ch, 13Ch, 14Ch, 17Ch, or HSV**).



- See the [Starting Address](#) section for the highest starting address for each personality.
- Make sure that the starting addresses on the various products do not overlap due to the new personality setting.

Starting Address

In this mode, each product will respond to a unique starting address from the DMX controller. All products with the same starting address will respond in unison.

1. Go to the **DMX Address** main level.
2. Set the starting address (**001–509**).

The highest recommended starting address for each DMX mode is as follows:

DMX Personality	DMX Address	DMX Personality	DMX Address
HSV	509	11Ch	501
1Ch	511	13Ch	499
4Ch	508	14Ch	498
6Ch	507	17Ch	496
8Ch	504		

Menu Map

Refer for the Ovation E-910FC IP product page on www.chauvetprofessional.com for the latest menu map.

Main Level	Programming Levels		Description
DMX Address	001–512*		Selects DMX address (highest channel restricted to personality chosen)
DMX Channel	1Ch		1-channel: dimmer
	4Ch		4-channel: dimmer, VCW, color temperature, gobo rotation
	6Ch		6-channel: RGBAL, gobo rotation
	8Ch		8-channel: dimmer, RGBAL, strobe, gobo rotation
	11Ch		11-channel: 16-bit dimmer, RGBAL, strobe, VCW, color temperature, gobo rotation
	13Ch		13-channel: dimmer, RGBAL, strobe, VCW, color temperature, auto program, auto speed, dimmer speed mode, gobo rotation, red shift
	14Ch		14-channel: 16-bit dimmer, 16-bit RGBAL, strobe, gobo rotation
	17Ch		17-channel: 16-bit dimmer, 16-bit RGBAL, strobe, VCW, color temperature, gobo rotation, red shift
	HSV		4-channel: hue, saturation, value, gobo rotation
Virtual Color Wheel	Virtual Color Wheel	C3050-Md Yellow C3040-Lt Yellow C3240-Amb Yellow C2340-VLt Amber C2040-Lt Amber C2050-Md Amber C2060-Dk Amber C1050-Lt Red C1080-Md Red C1020-NC Pink C1030-Md Pink C1630-Dk Pink C1250-Md Red Amber C1060-Dk Red Amber C1650-Magenta C6170-Dk Magenta C6020-Lt Lavender C5030-Lt Blue C5020-VLt Blue C5430-Lt Blue2 C5070-Blue C5050-Md Blue C5060-Dk Blue C5690- Indigo C5080-VDk Blue C5081-VDk Blue2	Dimmer 0–255 Virtual color wheel simulates the output of each gel color. Refer to the Virtual Color Wheel Chart for specific values.

Main Level	Programming Levels		Description	
Virtual Color Wheel (cont.)	Virtual Color Wheel (cont.)	C4370-Yel Green	Dimmer 0–255	Virtual color wheel simulates the output of each gel color. Refer to the Virtual Color Wheel Chart for specific values.
		C4070-Green		
		C4550-Turquoise		
		C4560-Aqua		
		C4570-Blue Green		
	Color Temperature	2800K	Dimmer 0–255	Preset white color temperatures. Emulates a tungsten lamp at the specified color temperature. Refer to the Color Temperature Chart for specific values.
		3000K		
		3200K		
		3500K		
		4000K		
		4500K		
		5000K		
		5600K		
	Manual Color Mixer	Red	0–255	Combine red, green, blue, amber, and lime to make a custom color (0–100%)
		Green		
Blue				
Amber				
Lime				
Color X-Fade Speed	Off		Turns off the fade transition between colors	
	X-Fade Speed 1		Creates fade transition between colors when using colors in the Virtual Color Wheel or Color Temperature chart, from fast (X-Fade Speed 1) to slow (X-Fade Speed 4)	
	X-Fade Speed 2			
	X-Fade Speed 3			
	X-Fade Speed 4			
Auto Show	Auto 1–5	1–100	Selects automatic programs and program speed	
Red Shift	On		Mimics halogen lamp dimming	
	Off			
Gobo Rotator	0–255		Rotating gobo index	
Master/ Slave	Master		DMX mode (Master)	
	Slave		Slave mode	
Dimmer Curve	Linear		Sets the dimmer curve	
	Square			
	I Square			
	SCurve			
Dimmer Mode	Off		Linear dimmer	
	Dimmer 1–3		Dimming curves Dimmer 1 (fast) to Dimmer 3 (slow)	
White Balance	Off		Uses factory default white setting	
	Manual	Red	0–255	Sets red LED maximum value
		Green		Sets green LED maximum value
		Blue		Sets blue LED maximum value
		Amber		Sets amber LED maximum value
		Lime		Sets lime LED maximum value

Main Level	Programming Levels		Description
LED Frequency	600Hz		Sets the PWM frequency
	1200Hz		
	2000Hz		
	4000Hz		
	6000Hz		
	25KHz		
Fan Mode	Auto		Sets the fan to auto mode
	On		Sets the fan to always on
	Off		Sets the fan to always off
	Silent		Sets the fan to silent
Back Light	10S		Turns off display backlight after 10 seconds of inactivity
	30S		Turns off display backlight after 30 seconds of inactivity
	2Min		Turns off display backlight after 2 minutes of inactivity
	Always On		Display backlight remains on
Key Lock	On		Turns passcode on or off (Password is <UP>, <DOWN>, <UP>, <DOWN>, <ENTER>)
	Off		
Gobo Power	On		Enables or disables gobo power output
	Off		
Information	Fixture Hours	----H	Shows total hours the product has been powered on
	LED Hours	----H	Shows total LED hours
	Version	V._.	Shows current firmware version
	UID	-----	Shows product UID
Reset Factory	No		Resets the product to factory default settings
	Yes		



When operating in Fan Mode: Off, the fixture will become hotter to the touch than when using other fan modes. Use proper protective equipment to prevent burns. Keep a safe distance from flammable objects.



When operating in Fan Mode: Off, output of the fixture will be reduced and will not reach the same levels as when using other fan modes.

Operation

Standalone Configuration

Use standalone configuration to operate the product without a DMX controller.

Focus Mode

Focus mode allows for focusing of the Ovation E-910FC IP without changing any menu settings.

1. Press and hold **<ENTER>** for 3 seconds. The output intensity will increase to 100%.
2. Press **<MENU>** to exit focus mode and restore the settings.

Virtual Color Wheel

The Ovation E-910FC IP offers more than 30 premixed colors based on gel colors. See the [Virtual Color Wheel](#) section for details on specific values. To select a gel color, do the following:

1. Go to the **Virtual Color Wheel** main level.
2. Select **Virtual Color Wheel**.
3. Select the desired gel color (see [Virtual Color Wheel Chart](#)).
4. Select the desired output level (**0–255**).

Color Temperature

The Color Temperature mode offer preset white color temperatures that emulate a tungsten lamp at the specified color temperature. See the [Color Temperature](#) section for details on specified values. To select a color temperature, do the following:

1. Go to the **Virtual Color Wheel** main level.
2. Select **Color Temperature**.
3. Select the desired color temperature (see [Standalone Configuration](#)).
4. Select the desired output level (**0–255**).

Manual Color Mixer

The Manual Color Mixer mode allows for permanent RGBAL color mixing without a DMX controller.

1. Go to the **Virtual Color Wheel** main level.
2. Select **Manual Color Mixer**.
3. Select the color to edit (**Red, Green, Blue, Amber, or Lime**).
4. Select the desired output level for that color (**0–255**).
5. Repeat steps 3 and 4 until product outputs as desired.

Color X-Fade Speed

The Color X-Fade Speed sets the cross-fade speed for Virtual Color Wheel options.

1. Go to the **Virtual Color Wheel** main level.
2. Select **Color X-Fade Speed**.
3. Select the desired cross-fade speed (**Off, X-Fade Speed 1–4**).

Auto Programs

Auto programs allow for dynamic blinder effects without a DMX controller.

1. Go to the **Auto Show** main level
2. Select the desired auto program (**Auto 1–5**).
3. Select the desired speed (**1–100**).



The auto programs cannot be edited.

Red Shift

The Red Shift function causes the amber LEDs to imitate the appearance of a halogen lamp when dimming.

1. Go to the **Red Shift** main level.
2. Select **On** or **Off**.

Gobo Rotator

(for use with Ovation GR-1 IP, sold separately)

The gobo rotator mode controls the Ovation GR-1 IP rotation speed.

1. Go to the **Gobo Rotator** main level.
2. Select the desired value (**0–255**).

Dimmer Curve

To set the dimmer curve, follow the instructions below:

1. Go to the Dimmer Curve main level.
2. Select the desired option (**Linear**, **Square**, **I Squa**, or **SCurve**).
3. Press **<ENTER>**.

Master/Slave

The Master/Slave mode allows a group of Ovation E-910FC IP products (the slaves) to simultaneously duplicate the output of another Ovation E-910FC IP (the master) without a DMX controller.

To set each of the slaves:

1. Go to the **Master/Slave** main level
2. Select **Slave**.

To set the master:

1. Go to the **Master/Slave** main level
2. Select **Master**.
3. Select a static setting.



- **The master is the one that runs a program whether in Auto or Static mode.**
- **Do not connect a DMX controller to the products configured for Master/Slave operation. The DMX controller may interfere with signals from the master.**
- **The master should be the first product in the daisy chain.**

Dimmer Profiles

This setting determines how fast the output of the Ovation E-910FC IP changes when the output value is modified. It provides four different options to simulate the dimming curve of an incandescent lighting product.

1. Go to the **Dimmer Mode** main level.
2. Select a dimmer curve (**Off**, **Dimmer 1**, **Dimmer 2**, or **Dimmer 3**).



- Off:** The output is proportional (linear) to the dimmer channel value.
- Dimmer 1-3:** The output follows the dimmer value based on the corresponding dimmer curve, **Dimmer 1** being the fastest.

White Balance

This setting determines the maximum output values for each color, which affects the appearance of a full output white.

1. Go to the White Balance main level.
2. Select **Off** (the product will use a default setting) or **Manual**.
3. For **Manual** mode, select the color value to edit (**Red**, **Green**, **Blue**, **Amber**, or **Lime**).
4. Set the maximum value for the selected color (**125–255**).
5. Repeat steps 3 and 4 until the product outputs as desired.

LED Frequency

This option changes the Pulse Width Modulation (PWM) frequency of the LEDs on the Ovation E-910FC IP.

1. Go to the **LED Frequency** main level.
2. Select PWM Frequency (**600Hz**, **1200Hz**, **2000Hz**, **4000Hz**, **6000Hz**, or **25Khz**).

Fan Mode

This setting determines how the fan speed on the Ovation E-910FC IP is set.

1. Go to the **Fan Mode** main level
2. Select **Auto** (fan speed will increase or decrease based on product temperature), **Off** (fan will stay off. Product output will decrease based on product temperature), **Silent** (fan will maintain a constant silent speed), or **On** (fan speed will always be at maximum).



NOTICE: When operating in Fan Mode: **Off**, the output of the fixture will be reduced and will not reach the same levels as when using other fan modes.



WARNING: When operating in Fan Mode: **Off**, the fixture will become hotter to the touch than when using other fan modes. Use proper protective equipment to prevent burns. Keep a safe distance from flammable objects.

Operation

Back Light

This setting allows for selection of the amount of time the backlight on the Ovation E-910FC IP's display stays on after the last button is pressed on the control panel.

1. Go to the **Back Light** main level.
2. Select **10S** (10 seconds), **30S** (30 seconds), **2Min** (2 minutes), or **Always On** (remains on).

Key Lock

This setting enables users to activate or disable the control panel lock, which keeps non-authorized personnel from changing the product's settings.

1. Go to the **Key Lock** main level.
2. Select **On** or **Off**.

Gobo Power

This setting provides power to the Ovation GR-1 IP (sold separately).

1. Go to the **Gobo Power** main level.
2. Select **On** or **Off**.

System Information

This option displays the total number of hours the product has run, the installed software version, and the product's UID.

1. Go to the **Information** main level.
2. Select **Fixture Hours**, **Version**, or **UID**.

Factory Reset

This option restores the Ovation E-910FC IP to factory default settings.

1. Go to the **Reset Factory** main level.
2. Select **No** or **Yes**.

Virtual Color Wheel

The Ovation E-910FC IP includes a feature called the Virtual Color Wheel (VCW). This feature is available as a standalone control mode for manual use and as a control channel in select DMX personalities. More than 30 premixed colors, custom blended by Chauvet engineers, are available to call up for easier programming. The DMX values used to mix these colors are provided below. The overall intensity of the Ovation fixture can be adjusted to more closely replicate familiar industry-standard colors. A chart is available at www.chauvetprofessional.com to compare Chauvet's premixed colors with popular gel colors. This chart is for comparison purposes only and is not an assertion that Chauvet's premixed colors match any of the gel colors listed.

Virtual Color Wheel Chart

DMX Value	Display Readout	Red Value	Green	Blue	Amber	Lime
000 ⇔ 005	--	--	--	--	--	--
006 ⇔ 013	C3050 - Md Yellow	233	163	020	123	255
014 ⇔ 021	C3040 - Lt Yellow	224	158	047	255	231
022 ⇔ 028	C3240 - Amb Yellow	180	060	000	245	255
029 ⇔ 035	C2340 - VLt Amber	245	107	081	255	213
036 ⇔ 043	C2040 - Lt Amber	230	130	062	255	155
044 ⇔ 051	C2050 - Md Amber	255	000	025	255	194
052 ⇔ 059	C2060 - Dk Amber	255	000	024	255	150
060 ⇔ 067	C1050 - Lt Red	255	037	027	030	038
068 ⇔ 075	C1080 - Md Red	255	004	017	000	000
076 ⇔ 083	C1020 - NC Pink	238	135	129	255	255
084 ⇔ 091	C1030 - Md Pink	255	131	120	255	195
092 ⇔ 099	C1630 - Dk Pink	250	165	123	255	210
100 ⇔ 107	C1250 - Md Red Amber	255	000	041	195	055
108 ⇔ 115	C1060 - Dk Red Amber	255	000	045	120	030
116 ⇔ 121	C1650 - Magenta	255	050	115	255	115
122 ⇔ 130	C6170 - Dk Magenta	255	035	117	000	000
131 ⇔ 138	C6020 - Lt Lavender	127	122	142	251	255
139 ⇔ 146	C5030 - Lt Blue	000	255	197	100	255
147 ⇔ 154	C5020 - VLt Blue	158	255	189	000	255
155 ⇔ 162	C5430 - Lt Blue2	000	255	180	000	243
163 ⇔ 170	C5070 - Blue	043	255	210	043	036
171 ⇔ 178	C5050 - Md Blue	000	255	218	000	181
179 ⇔ 186	C5060 - Dk Blue	000	210	206	000	118
187 ⇔ 194	C5690 - Indigo	065	000	210	040	055
195 ⇔ 202	C5080 - VDk Blue	000	203	230	000	040
203 ⇔ 210	C5081 - VDk Blue2	040	199	240	000	045
211 ⇔ 218	C4370 - Yel Green	027	255	028	016	104
219 ⇔ 226	C4070 - Green	049	255	055	120	090
227 ⇔ 234	C4550 - Turquoise	060	230	109	000	245
235 ⇔ 242	C4560 - Aqua	020	240	126	036	255
243 ⇔ 250	C4570 - Blue Green	000	255	079	030	053
251 ⇔ 255	--	--	--	--	--	--



The colors above are simulated renditions of the color output produced compared with other similar incandescent products. Chauvet makes no guarantee of the color output accuracy.

Operation

Color Temperature Chart

DMX Value	Color Temperature	Red Value	Green	Blue	Amber	Lime
000 ⇔ 005	No function	--	--	--	--	--
006 ⇔ 025	2800K	187	130	097	255	255
026 ⇔ 050	3000K	177	145	105	255	255
051 ⇔ 075	3200K	168	157	113	255	255
076 ⇔ 100	3500K	163	177	124	255	255
101 ⇔ 125	4000K	151	195	141	255	255
126 ⇔ 150	4500K	145	214	157	255	255
151 ⇔ 175	5000K	138	227	170	255	255
176 ⇔ 200	5600K	130	239	184	255	255
201 ⇔ 225	6000K	126	246	193	255	255
226 ⇔ 250	6500K	120	254	201	255	255
226 ⇔ 250	No function	--	--	--	--	--



The color temperatures above are simulated renditions of the color output produced compared with a tungsten lamp at the specified color temperature. Chauvet makes no guarantee of the color output accuracy.

DMX Values

17Ch / 14Ch / 13Ch / 11Ch / 8Ch / 6Ch / 4Ch

4Ch	6Ch	8Ch	11Ch	13Ch	14Ch	17Ch	Function	Value	Percent/Setting
1	-	1	1	1	1	1	Dimmer	000 ⇔ 255	0-100%
-	-	-	2	-	2	2	Dimmer fine	000 ⇔ 255	0-100%
-	1	2	3	2	3	3	Red	000 ⇔ 255	0-100%
-	-	-	-	-	4	4	Red fine	000 ⇔ 255	0-100%
-	2	3	4	3	5	5	Green	000 ⇔ 255	0-100%
-	-	-	-	-	6	6	Green fine	000 ⇔ 255	0-100%
-	3	4	5	4	7	7	Blue	000 ⇔ 255	0-100%
-	-	-	-	-	8	8	Blue fine	000 ⇔ 255	0-100%
-	4	5	6	5	9	9	Amber	000 ⇔ 255	0-100%
-	-	-	-	-	10	10	Amber fine	000 ⇔ 255	0-100%
-	5	6	7	6	11	11	Lime	000 ⇔ 255	0-100%
-	-	-	-	-	12	12	Lime fine	000 ⇔ 255	0-100%
-	-	7	8	7	13	13	Strobe	000 ⇔ 010 011 ⇔ 255	No function Strobe, slow to fast
2	-	-	9	8	-	14	Virtual color wheel	000 ⇔ 255	See Virtual Color Wheel Chart
3	-	-	10	9	-	15	Color temperature	000 ⇔ 255	See Color Temperature Chart
-	-	-	-	10	-	-	Auto program	000 ⇔ 010 011 ⇔ 060 061 ⇔ 110 111 ⇔ 160 161 ⇔ 210 211 ⇔ 255	No function Auto program 1 Auto program 2 Auto program 3 Auto program 4 Auto program 5
-	-	-	-	11	-	-	Auto speed	000 ⇔ 255	Auto speed, slow to fast

4Ch	6Ch	8Ch	11Ch	13Ch	14Ch	17Ch	Function	Value	Percent/Setting
4	6	8	11	-	14	16	Gobo rotation	000 ⇔ 127 128 ⇔ 190 191 ⇔ 192 193 ⇔ 255	Gobo index Clockwise rotation, fast to slow Stop Counterclockwise rotation, slow to fast
-	-	-	-	12	-	17	Control (hold 3 seconds, then release)	000 ⇔ 007 008 ⇔ 015 016 ⇔ 023 024 ⇔ 031 032 ⇔ 039 040 ⇔ 047 048 ⇔ 055 056 ⇔ 063 064 ⇔ 071 072 ⇔ 079 080 ⇔ 087 088 ⇔ 095 096 ⇔ 103 104 ⇔ 111 112 ⇔ 119 120 ⇔ 127 128 ⇔ 135 136 ⇔ 143 144 ⇔ 151 152 ⇔ 159 160 ⇔ 167 168 ⇔ 225	No function Dimmer reset Red Shift On Red Shift Off Dimmer: S-Curve Dimmer: Linear Dimmer: Square Dimmer: Inverse Square Dimmer Mode Off Dimmer Mode 1 Dimmer Mode 2 Dimmer Mode 3 Fan Auto Fan On Fan Off Fan Silent X-Fade Speed: OFF X-Fade Speed: 1 (fastest) X-Fade Speed: 2 X-Fade Speed: 3 X-Fade Speed: 4 (slowest) No Function
-	-	-	-	13	-	-	Gobo rotation	000 ⇔ 127 128 ⇔ 190 191 ⇔ 192 193 ⇔ 255	Gobo index Clockwise rotation, fast to slow Stop Counterclockwise rotation, slow to fast

1Ch

Channel	Function	Value	Percent/Setting
1	Dimmer	000 ⇔ 255	0–100%

HSV

Channel	Function	Value	Percent/Setting
1	Hue	000 ⇔ 255	0–100%
2	Saturation	000 ⇔ 255	0–100%
3	Value	000 ⇔ 255	0–100%
4	Gobo rotation	000 ⇔ 127 128 ⇔ 190 191 ⇔ 192 193 ⇔ 255	Index Clockwise fast to slow Stop Counter-clockwise slow to fast

5. Technical Information

Product Maintenance

To maintain optimum performance and minimize wear, clean this product frequently. Usage and environment are contributing factors in determining the cleaning frequency.

Clean this product at least twice a month. Dust build-up reduces light output performance and can cause overheating. This can lead to reduced light source life and increased mechanical wear.

To clean the product:

1. Unplug the product from power.
2. Wait until the product is at room temperature.
3. Use a vacuum (or dry compressed air) and a soft brush to remove dust collected on the external vents.
4. Clean all transparent surfaces with a mild soap solution, ammonia-free glass cleaner, or isopropyl alcohol.
5. Apply the solution directly to a soft, lint-free cotton cloth or a lens-cleaning tissue.
6. Softly drag any dirt or grime to the outside of the transparent surface.
7. Gently polish the transparent surfaces until they are free of haze and lint.



Always dry the transparent surfaces carefully after cleaning them.

Torque Measurements

To maintain the IP rating when reassembling the product, use the given torque measurements for each of the following screws and bolts:

Fixture Parts	Torque Rating (Kgf.cm)	Torque Rating (lgb.in)
Power and DMX Connectors	10	8.7
Covers	20	17.4

Vacuum Test Measurements

Use the IP Tester from Chauvet Professional to ensure the product has been reassembled correctly by following the information below:

Parameters	Values
Method	Positive
Test pressure	40 kPa
Test duration	30 seconds
PASS state leak pressure	<0.05 kPa

6. Technical Specifications

Dimensions and Weight

Length	Width	Height	Weight
26 in (660 mm)	11.33 in (288 mm)	10.4 in (264.6 mm)	23.2 lb (10.5 kg)

Note: Dimensions in inches rounded to the nearest hundredth.

Power

Power Supply Type	Range	Voltage Selection
Switching (internal)	100 to 240 VAC, 50/60 Hz	Auto-ranging

Parameter	100 V, 60 Hz	120 V, 60 Hz	208 V, 60 Hz	230 V, 50 Hz	240 V, 50 Hz
Consumption	215 W	212 W	202 W	201 W	199 W
Operating current	2.203 A	1.802 A	1.026 A	0.966 A	0.935 A
Power-linking current (products)	13.6 A (5 products)	13.6 A (6 products)	13.6 A (11 products)	13.6 A (12 products)	13.6 A (12 products)

Power I/O	U.S./Canada	Worldwide
Power input connector	Seetronic Powerkon IP65	Seetronic Powerkon IP65
Power output connector	Seetronic Powerkon IP65	Seetronic Powerkon IP65
Power cord plug	Edison (U.S.)	Local plug

Light Source

Type	Color	Quantity	Power	Current	Lifespan
LED	Red	18	3 W	722 mA	50,000 hours
	Green	18			
	Blue	19			
	Amber	18			
	Lime green	18			

Photometrics

Parameter	14°	19°	26°	36°	50°	15°~30°	25°~50°
Beam Angle	11°	19°	24°	28°	41°	13°/24°	23°/36°
Field Angle	14°	19°	26°	34°	51°	15°/29°	26°/50°
Illuminance @ 5 m	4,420 lux	2,530 lux	1,720 lux	1,020 lux	457 lux	4,260/1,620 lux	1,790/825 lux

Thermal

Maximum External Temperature	Cooling System
113 °F (45 °C)	Convection

DMX

I/O Connector	Channel Range
5-pin XLR	1, 4, 6, 8, 11, 13, 14, 17, HSV

Ordering

Product Name	Item Code	UPC Number
Ovation E-910FC IP	03121497	781462218454



Contact Us

General Information	Technical Support
Chauvet World Headquarters	
Address: 3360 Davie Rd., Suite 509 Davie, FL 33314 Voice: (954) 577-4455 Fax: (954) 929-5560 Toll Free: (800) 762-1084	Voice: (844) 393-7575 Fax: (954) 756-8015 Email: chauvetcs@chauvetlighting.com Website: www.chauvetprofessional.com
Chauvet U.K.	
Address: Pod 1 EVO Park Little Oak Drive, Sherwood Park Nottinghamshire, NG15 0EB UK Voice: +44 (0) 1773 511115 Fax: +44 (0) 1773 511110	Email: UKtech@chauvetlighting.eu Website: www.chauvetprofessional.eu
Chauvet Benelux	
Address: Stokstraat 18 9770 Kruishoutem Belgium Voice: +32 9 388 93 97	Email: BNLtech@chauvetlighting.eu Website: www.chauvetprofessional.eu
Chauvet France	
Address: 3, Rue Ampère 91380 Chilly-Mazarin France Voice: +33 1 78 85 33 59	Email: FRtech@chauvetlighting.fr Website: www.chauvetprofessional.eu
Chauvet Germany	
Address: Bruno-Bürgel-Str. 11 28759 Bremen Germany Voice: +49 421 62 60 20	Email: DEtech@chauvetlighting.de Website: www.chauvetprofessional.eu
Chauvet Mexico	
Address: Av. de las Partidas 34 - 3B (Entrance by Calle 2) Zona Industrial Lerma Lerma, Edo. de México, CP 52000 Voice: +52 (728) 690-2010	Email: servicio@chauvet.com.mx Website: www.chauvetprofessional.mx

Warranty & Returns

For warranty terms and conditions and return information, please visit our website.

For customers in the United States and Mexico: www.chauvetlighting.com/warranty-registration.

For customers in the United Kingdom, Republic of Ireland, Belgium, the Netherlands, Luxembourg, France, and Germany: www.chauvetlighting.eu/warranty-registration.